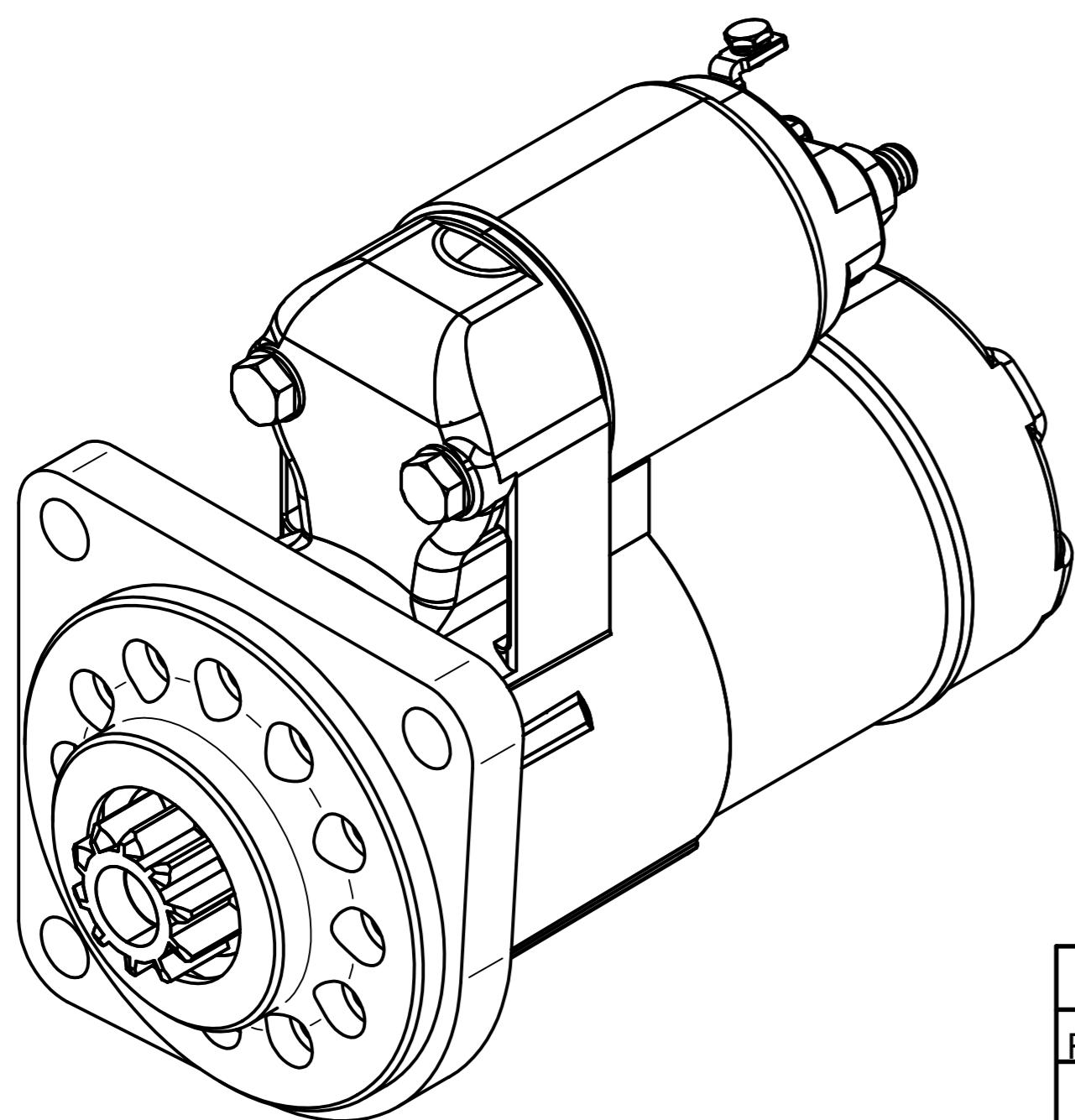
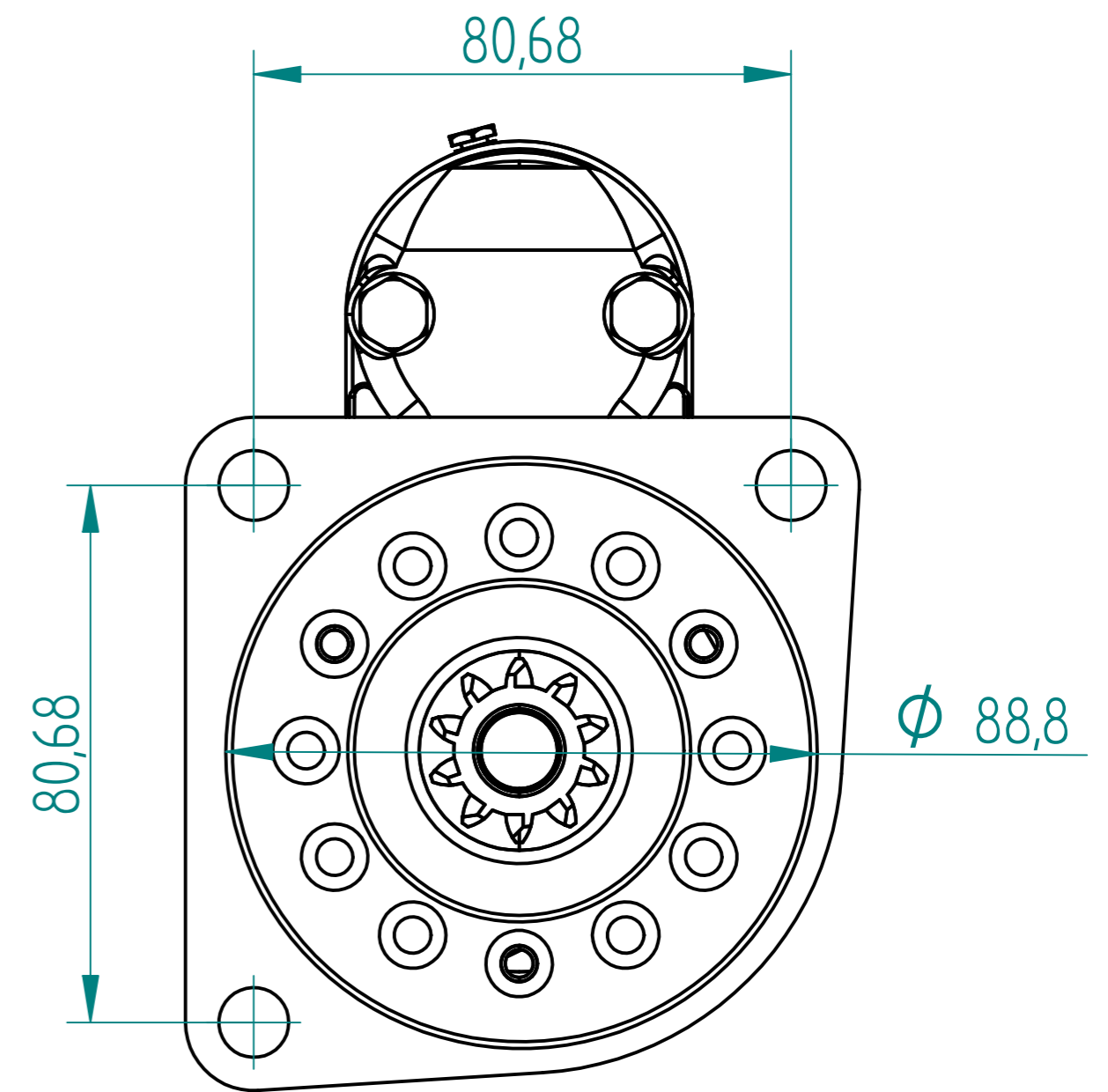
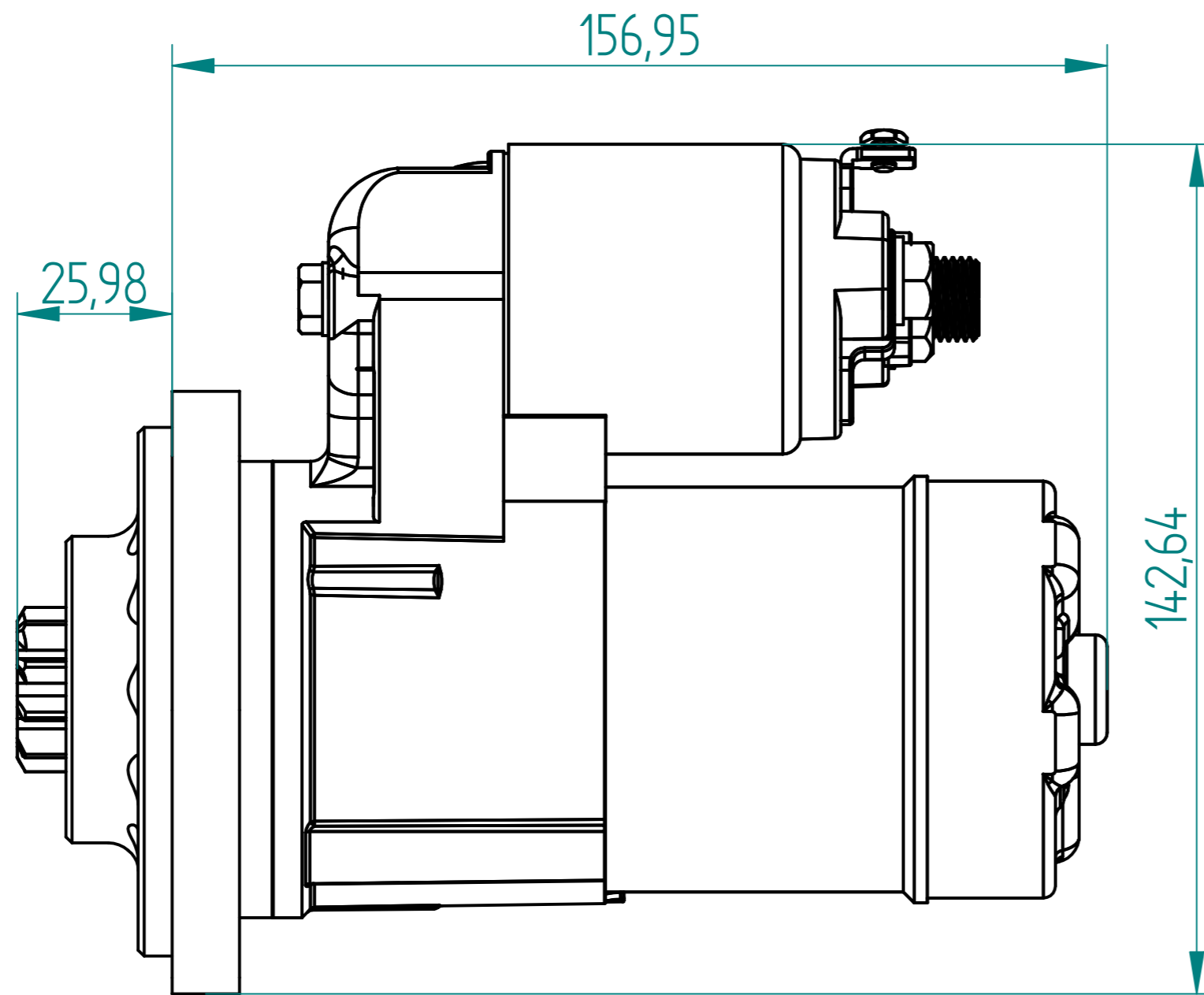
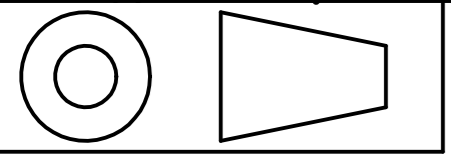


# Ford Kent, Crossflow, BDA, Twin Cam Starter. Part # 892909PGR



REVISION HISTORY			
REV.	DESCRIPTION	DATE	APPRO
	Please note this is the 9 tooth version. For 10 tooth version refer to part number 892910PGR.		

Material		Finish	
Drawn	Name S.W.	Date 22/07/10	
Checked			
Appro			
Note. Unless otherwise stated all dimensions in mm.			
Project: Ford Kent, Crossflow, BDA, Twin cam.			
Item: 892909PGR			
Maximum Torque: 47-50Nm			
Status	Scale 1:1	Sheet 1 of 1	Mass: 2.7kg
© Copyright Brise Ltd. Unit Q3 Northfleet Industrial Estate DA11 9SN All Rights Reserved			